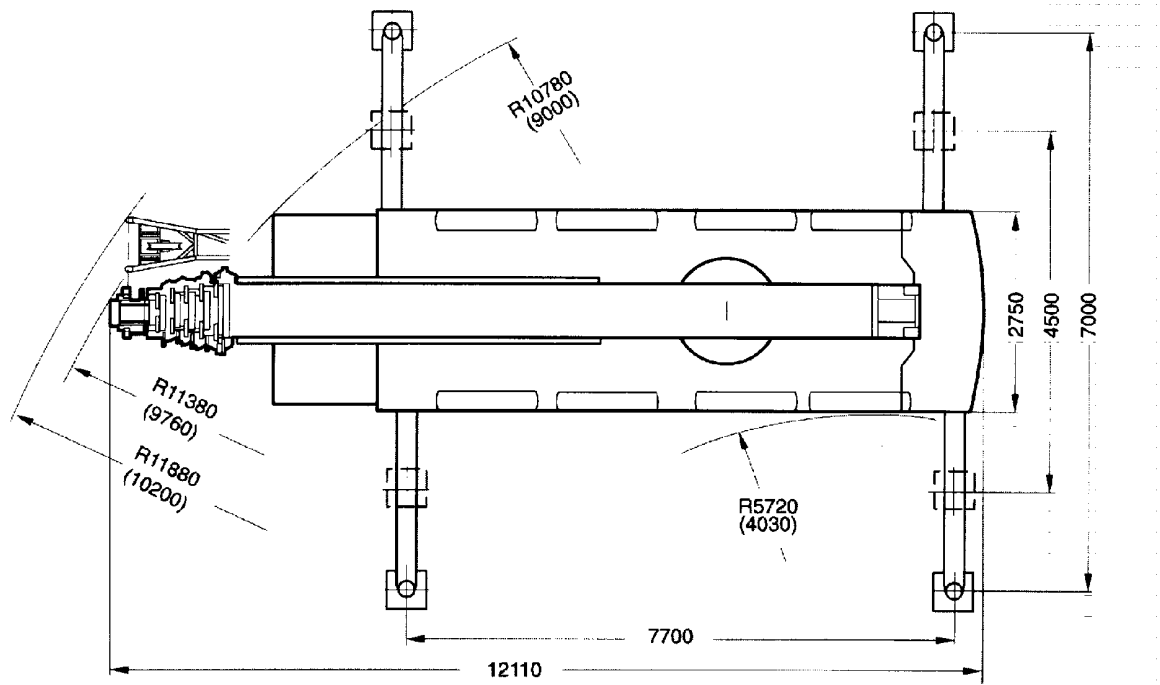
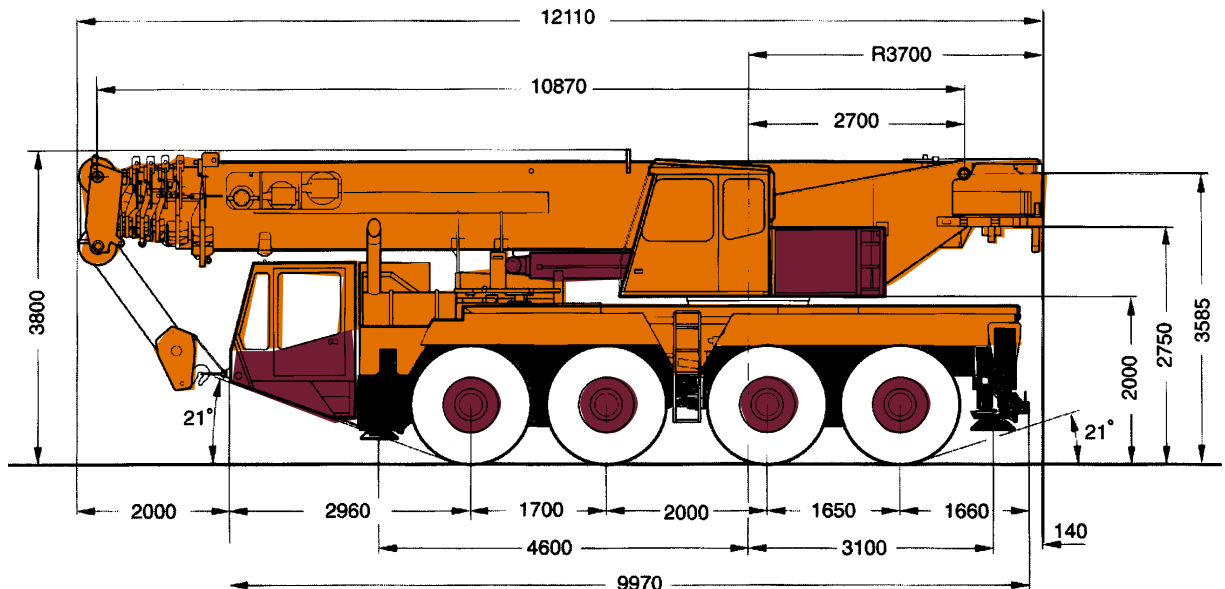




DEMAG AC 205

80 Tonne Hydraulic All Terrain Crane

GENERAL DIMENSIONS

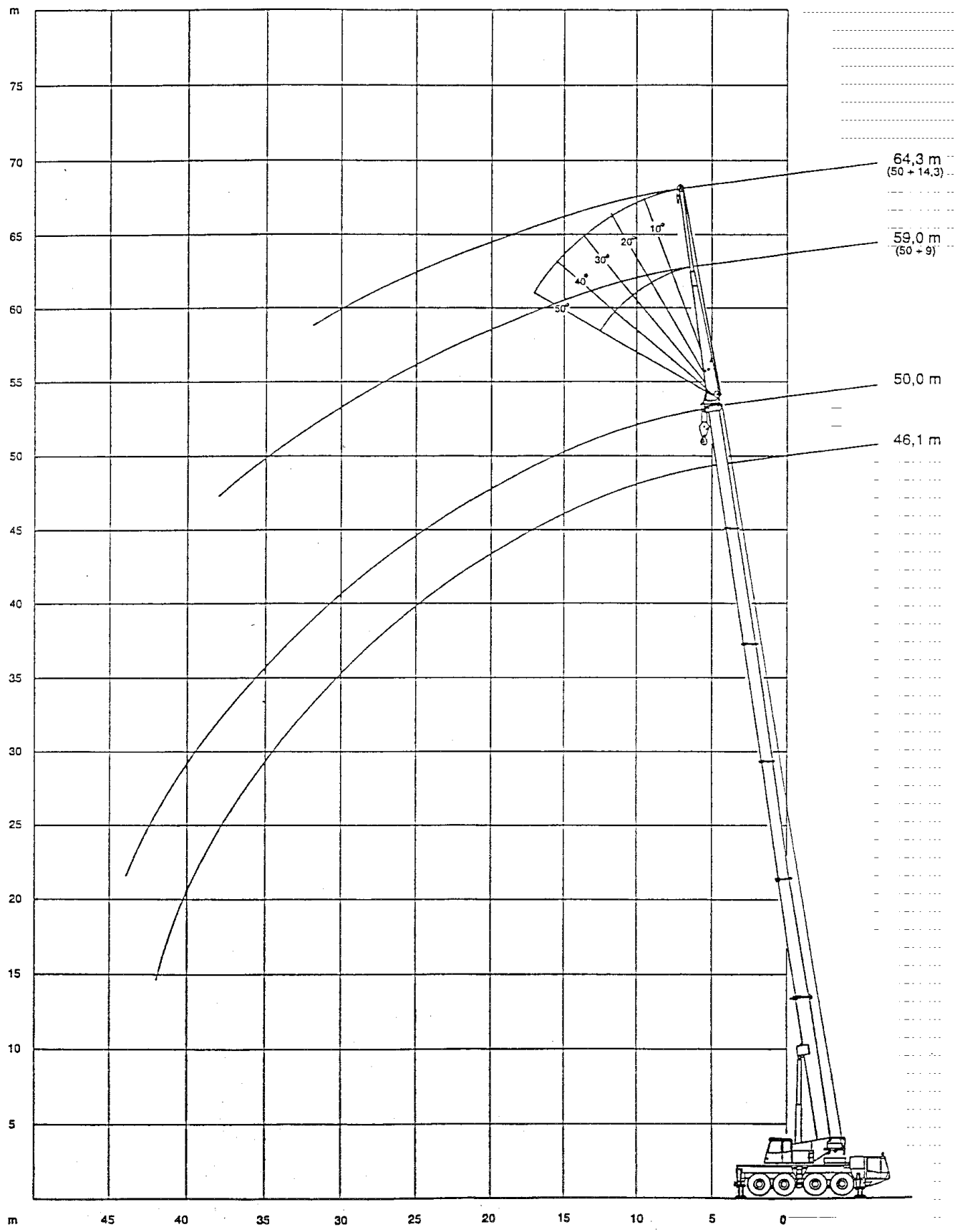




DEMAG AC 205

80 Tonne Hydraulic All Terrain Crane

Main Boom Extension Working Range Diagram





DEMAG AC 205

80 Tonne Hydraulic All Terrain Crane

| AC 205 | | Capacities on Main Boom | | | | | | | | | 75%/DIN 15019.2 |
|--------------------------------------|---------------|----------------------------------|------|------|------|------|------|------|------|---|--------------------------|
| | | Capacity (t) = Load + Hook Block | | | | | | | | | 360° |
| | | | | | | | | | | | Counterweight 18t |
| | | | | | | | | | | | Outrigger base 7.7 x 7 m |
| Radius (m) | Main Boom (m) | | | | | | | | | | |
| | 10.9 | 16.1 | 21.4 | 25.0 | 31.2 | 37.1 | 42.3 | 46.1 | 50.0 | | |
| 3.0 | 80.0* | - | - | - | - | - | - | - | - | - | |
| 3.0 | 70.0 | - | - | - | - | - | - | - | - | - | |
| 3.5 | 64.7 | 50.0 | - | - | - | - | - | - | - | - | |
| 4.0 | 59.6 | 50.0 | 40.0 | - | - | - | - | - | - | - | |
| 4.5 | 55.2 | 50.0 | 38.0 | 30.0 | - | - | - | - | - | - | |
| 5.0 | 51.3 | 47.6 | 35.5 | 30.0 | 17.0 | - | - | - | - | - | |
| 6.0 | 42.2 | 41.8 | 31.7 | 28.9 | 17.0 | 15.0 | - | - | - | - | |
| 7.0 | 35.2 | 34.9 | 28.6 | 26.1 | 17.0 | 14.7 | 11.0 | - | - | - | |
| 8.0 | 28.4 | 29.8 | 26.0 | 23.5 | 17.0 | 14.1 | 11.0 | 8.0 | - | - | |
| 9.0 | - | 25.8 | 23.6 | 21.2 | 17.0 | 13.5 | 11.0 | 8.0 | 6.0 | - | |
| 10.0 | - | 22.1 | 21.2 | 19.1 | 16.1 | 12.9 | 11.0 | 8.0 | 6.0 | - | |
| 12.0 | - | 16.2 | 15.3 | 15.3 | 13.9 | 11.5 | 10.8 | 7.8 | 6.0 | - | |
| 14.0 | - | - | 11.6 | 11.6 | 12.1 | 10.2 | 9.8 | 7.5 | 5.9 | - | |
| 16.0 | - | - | 9.1 | 9.0 | 10.5 | 9.1 | 8.6 | 7.1 | 5.7 | - | |
| 18.0 | - | - | 7.2 | 7.1 | 8.5 | 8.1 | 7.6 | 6.7 | 5.4 | - | |
| 20.0 | - | - | - | 5.6 | 7.1 | 7.4 | 6.8 | 6.1 | 5.0 | - | |
| 22.0 | - | - | - | - | 5.9 | 6.3 | 6.2 | 5.6 | 4.6 | - | |
| 24.0 | - | - | - | - | 4.9 | 5.3 | 5.2 | 5.1 | 4.2 | - | |
| 26.0 | - | - | - | - | 4.1 | 4.5 | 4.3 | 4.5 | 3.8 | - | |
| 28.0 | - | - | - | - | - | 3.8 | 3.6 | 3.8 | 3.5 | - | |
| 30.0 | - | - | - | - | - | 3.2 | 3.0 | 3.2 | 3.2 | - | |
| 32.0 | - | - | - | - | - | 2.6 | 2.5 | 2.7 | 2.7 | - | |
| 34.0 | - | - | - | - | - | - | 2.1 | 2.3 | 2.3 | - | |
| 36.0 | - | - | - | - | - | - | 1.7 | 1.9 | 1.9 | - | |
| 38.0 | - | - | - | - | - | - | 1.3 | 1.5 | 1.5 | - | |
| 40.0 | - | - | - | - | - | - | - | 1.2 | 1.2 | - | |
| 42.0 | - | - | - | - | - | - | - | 0.9 | 0.9 | - | |
| 44.0 | - | - | - | - | - | - | - | - | 0.6 | - | |
| No. of Hoist Lines | | 16 | 10 | 8 | 6 | 4 | 3 | 2 | 2 | 2 | |
| Sequence of extended boom (%): | | | | | | | | | | | |
| Tel I | 0 | 0 | 67 | 80 | 67 | 67 | 90 | 90 | 100 | | |
| Tel II | 0 | 67 | 67 | 100 | 67 | 67 | 90 | 90 | 100 | | |
| Tel III-V | 0 | 0 | 0 | 0 | 42 | 67 | 74 | 90 | 100 | | |
| Dialling code for telescopic control | | | | | | | | | | | |
| | 1 | 2 | 3 | 4 | 5 | 6 | 7 | 8 | 9 | | |

* over rear

- When runner is attached load capacities must be reduced by 130 kg.



DEMAG AC 205

80 Tonne Hydraulic All Terrain Crane

AC 205 Capacities on Hydraulic Extension Boom 75%/DIN 15019.2
 Capacity (t) = Load + Hook Block 360°

Counterweight 18.0 t
 Outrigger base 7.70 x 7.00 m

Extension Boom 9.0 m

Main Boom 42.3 m

(Sequence of extended boom 90-90-74-74-74 %)

| Radius (m) | Pos.0° | Pos.10° | Pos.20° | Pos.30° | Pos.40° | Pos.50° |
|------------|--------|---------|---------|---------|---------|---------|
| 10.0 | 4.2 | - | - | - | - | - |
| 12.0 | 4.0 | 3.8 | - | - | - | - |
| 14.0 | 3.8 | 3.6 | 3.4 | 2.9 | - | - |
| 16.0 | 3.6 | 3.5 | 3.2 | 2.8 | 2.5 | 2.2 |
| 18.0 | 3.5 | 3.3 | 3.0 | 2.7 | 2.5 | 2.2 |
| 20.0 | 3.3 | 3.1 | 2.8 | 2.5 | 2.4 | 2.1 |
| 22.0 | 3.0 | 2.9 | 2.6 | 2.4 | 2.2 | 2.0 |
| 24.0 | 2.8 | 2.7 | 2.5 | 2.3 | 2.1 | 1.9 |
| 26.0 | 2.6 | 2.5 | 2.3 | 2.1 | 2.0 | 1.8 |
| 28.0 | 2.4 | 2.2 | 2.1 | 2.0 | 1.8 | 1.7 |
| 30.0 | 2.2 | 2.0 | 1.9 | 1.8 | 1.7 | 1.6 |
| 32.0 | 1.9 | 1.8 | 1.7 | 1.6 | 1.6 | - |
| 34.0 | 1.7 | 1.6 | 1.6 | 1.5 | 1.4 | - |
| 36.0 | 1.4 | 1.4 | 1.4 | 1.4 | 1.3 | - |
| 38.0 | 1.2 | 1.2 | 1.2 | 1.2 | - | - |
| 40.0 | - | 1.0 | 1.0 | 1.0 | - | - |

No. of Hoist Lines

2

Dialling code for telescopic control

7



DEMAG AC 205

80 Tonne Hydraulic All Terrain Crane

AC 205 Capacities on Hydraulic Extension Boom 75%/DIN 15019.2
 Capacity (t) = Load + Hook Block 360°

Counterweight 18.0 t
 Outrigger base 7.70 x 7.00 m

Extension Boom 9.0 m
 Main Boom 46.1 m

(Sequence of extended boom 90-90-90-90-90 %)

| Radius (m) | Pos.0° | Pos.10° | Pos.20° | Pos.30° | Pos.40° | Pos.50° |
|---------------|--------|---------|---------|---------|---------|---------|
| 12.0 | 3.3 | - | - | - | - | - |
| 14.0 | 3.2 | 3.0 | 3.0 | - | - | - |
| 16.0 | 3.1 | 2.9 | 2.8 | 2.7 | 2.5 | - |
| 18.0 | 3.0 | 2.8 | 2.7 | 2.5 | 2.4 | 2.2 |
| 20.0 | 2.8 | 2.7 | 2.5 | 2.4 | 2.3 | 2.1 |
| 22.0 | 2.7 | 2.5 | 2.4 | 2.3 | 2.2 | 2.0 |
| 24.0 | 2.5 | 2.4 | 2.2 | 2.1 | 2.0 | 1.9 |
| 26.0 | 2.3 | 2.2 | 2.1 | 2.0 | 1.9 | 1.8 |
| 28.0 | 2.1 | 2.0 | 2.0 | 1.9 | 1.8 | 1.7 |
| 30.0 | 2.0 | 1.9 | 1.8 | 1.7 | 1.6 | 1.6 |
| 32.0 | 1.8 | 1.7 | 1.6 | 1.6 | 1.5 | 1.5 |
| 34.0 | 1.6 | 1.5 | 1.5 | 1.4 | 1.4 | - |
| 36.0 | 1.4 | 1.4 | 1.3 | 1.3 | 1.2 | - |
| 38.0 | 1.0 | 1.2 | 1.2 | 1.1 | 1.1 | - |
| 40.0 | 0.7 | 0.8 | 0.9 | 1.0 | 0.9 | - |
| 42.0 | - | 0.6 | 0.6 | 0.7 | - | - |

No. of Hoist Lines

2

Dialling code for telescopic control

8



DEMAG AC 205

80 Tonne Hydraulic All Terrain Crane

75%/DIN 15019.2

AC 205

Capacities on Hydraulic Extension Boom

360°

Capacity (t) = Load + Hook Block

Counterweight 18.0 t

Outrigger base 7.70 x 7.00 m

Extension Boom 9.0 m

Main Boom 50.0 m

(Sequence of extended boom 100-100-100-100-100 %)

| Radius (m) | Pos.0° | Pos.10° | Pos.20° | Pos.30° | Pos.40° | Pos.50° |
|---------------|--------|---------|---------|---------|---------|---------|
| 12.0 | 1.9 | - | - | - | - | - |
| 14.0 | 1.9 | 1.9 | - | - | - | - |
| 16.0 | 1.9 | 1.9 | 1.9 | - | - | - |
| 18.0 | 1.9 | 1.9 | 1.9 | 1.9 | 1.9 | 1.9 |
| 20.0 | 1.9 | 1.9 | 1.9 | 1.9 | 1.9 | 1.9 |
| 22.0 | 1.9 | 1.9 | 1.9 | 1.9 | 1.9 | 1.9 |
| 24.0 | 1.9 | 1.9 | 1.9 | 1.9 | 1.9 | 1.9 |
| 26.0 | 1.7 | 1.7 | 1.7 | 1.7 | 1.7 | 1.8 |
| 28.0 | 1.5 | 1.5 | 1.5 | 1.6 | 1.6 | 1.6 |
| 30.0 | 1.3 | 1.3 | 1.3 | 1.4 | 1.4 | 1.4 |
| 32.0 | 1.1 | 1.1 | 1.1 | 1.2 | 1.2 | 1.3 |
| 34.0 | 0.9 | 1.0 | 1.0 | 1.0 | 1.0 | 1.1 |
| 36.0 | 0.8 | 0.8 | 0.8 | 0.9 | 0.9 | 0.9 |
| 38.0 | 0.6 | 0.6 | 0.6 | 0.7 | 0.7 | - |
| 40.0 | - | - | - | 0.6 | 0.6 | - |

No. of Hoist Lines

2

Dialling code for telescopic control

9



DEMAG AC 205

80 Tonne Hydraulic All Terrain Crane

AC 205 Capacities on Hydraulic Extension Boom 75%/DIN 15019.2
360°
 Capacity (t) = Load + Hook Block

Counterweight 18.0 t
 Outrigger base 7.70 x 7.00 m

Extension Boom 14.3 m
 Main Boom 42.3 m

(Sequence of extended boom 90-90-74-74-74 %)

| Radius (m) | Pos.0° | Pos.10° | Pos.20° | Pos.30° | Pos.40° | Pos.50° |
|------------|--------|---------|---------|---------|---------|---------|
| 12.0 | 2.4 | - | - | - | - | - |
| 14.0 | 2.3 | 1.8 | - | - | - | - |
| 16.0 | 2.1 | 1.7 | 1.4 | - | - | - |
| 18.0 | 2.0 | 1.6 | 1.3 | 1.1 | - | - |
| 20.0 | 1.9 | 1.5 | 1.3 | 1.1 | 1.0 | - |
| 22.0 | 1.7 | 1.4 | 1.2 | 1.1 | 1.0 | 0.9 |
| 24.0 | 1.6 | 1.3 | 1.2 | 1.0 | 0.9 | 0.9 |
| 26.0 | 1.5 | 1.3 | 1.1 | 1.0 | 0.9 | 0.9 |
| 28.0 | 1.4 | 1.2 | 1.1 | 1.0 | 0.9 | 0.9 |
| 30.0 | 1.3 | 1.2 | 1.0 | 0.9 | 0.9 | 0.9 |
| 32.0 | 1.3 | 1.1 | 1.0 | 0.9 | 0.9 | 0.9 |
| 34.0 | 1.2 | 1.1 | 1.0 | 0.9 | 0.9 | 0.9 |
| 36.0 | 1.2 | 1.0 | 1.0 | 0.9 | 0.9 | - |
| 38.0 | 1.1 | 1.0 | 0.9 | 0.9 | 0.9 | - |
| 40.0 | 1.1 | 0.9 | 0.9 | 0.9 | 0.9 | - |
| 42.0 | 1.0 | 0.9 | 0.9 | 0.9 | - | - |
| 44.0 | 0.8 | 0.8 | 0.8 | 0.8 | - | - |
| 46.0 | - | - | 0.6 | 0.6 | - | - |

No. of Hoist Lines

2

Dialling code for telescopic control

7



DEMAG AC 205

80 Tonne Hydraulic All Terrain Crane

| | | | |
|--------------------------------------|--|------------------------------|---------|
| AC 205 | Capacities on Hydraulic Extension Boom | 75%/DIN 15019.2 | |
| | Capacity (t) = Load + Hook Block | 360° | |
| | | Counterweight 18.0 t | |
| | Extension Boom 14.3 m | Outrigger base 7.70 x 7.00 m | |
| | Main Boom 46.1 m | | |
| | (Sequence of extended boom 90-90-90-90-90 %) | | |
| Radius (m) | Pos.0° | Pos.10° | Pos.20° |
| | Pos.30° | Pos.40° | Pos.50° |
| 14.0 | 1.9 | - | - |
| 16.0 | 1.8 | 1.6 | - |
| 18.0 | 1.8 | 1.6 | 1.4 |
| 20.0 | 1.7 | 1.5 | 1.3 |
| | | | 1.1 |
| 22.0 | 1.6 | 1.4 | 1.3 |
| 24.0 | 1.5 | 1.4 | 1.2 |
| 26.0 | 1.5 | 1.3 | 1.2 |
| 28.0 | 1.4 | 1.3 | 1.1 |
| 30.0 | 1.4 | 1.2 | 1.1 |
| | | | 1.0 |
| 32.0 | 1.3 | 1.2 | 1.1 |
| 34.0 | 1.2 | 1.1 | 1.0 |
| 36.0 | 1.2 | 1.1 | 1.0 |
| 38.0 | 1.1 | 1.0 | 1.0 |
| 40.0 | 1.0 | 1.0 | 0.9 |
| | | | 0.9 |
| 42.0 | 0.8 | 0.9 | 0.9 |
| 44.0 | 0.6 | 0.7 | 0.8 |
| 46.0 | - | - | 0.6 |
| | | | 0.7 |
| No. of Hoist Lines | | | 2 |
| Dialling code for telescopic control | | | 8 |



DEMAG AC 205

80 Tonne Hydraulic All Terrain Crane

| AC 205 | Capacities on Hydraulic Extension Boom | | | | | | 75%/DIN 15019.2 |
|--------------------------------------|---|---------|---------|---------|---------|---------|------------------------------|
| | Capacity (t) = Load + Hook Block | | | | | | 360° |
| | Extension Boom 14.3 m | | | | | | Counterweight 18.0 t |
| | Main Boom 50.0 m | | | | | | Outrigger base 7.70 x 7.00 m |
| | (Sequence of extended boom 100-100-100-100-100 %) | | | | | | |
| Radius (m) | Pos.0° | Pos.10° | Pos.20° | Pos.30° | Pos.40° | Pos.50° | |
| 14.0 | 0.9 | - | - | - | - | - | |
| 16.0 | 0.9 | - | - | - | - | - | |
| 18.0 | 0.9 | 0.9 | 0.9 | - | - | - | |
| 20.0 | 0.9 | 0.9 | 0.9 | 0.9 | - | - | |
| 22.0 | 0.9 | 0.9 | 0.9 | 0.9 | 0.9 | - | |
| 24.0 | 0.9 | 0.9 | 0.9 | 0.9 | 0.9 | 0.9 | |
| 26.0 | 0.9 | 0.9 | 0.9 | 0.9 | 0.9 | 0.9 | |
| 28.0 | 0.9 | 0.9 | 0.9 | 0.9 | 0.9 | 0.9 | |
| 30.0 | 0.9 | 0.9 | 0.9 | 0.9 | 0.9 | 0.9 | |
| 32.0 | 0.9 | 0.9 | 0.9 | 0.9 | 0.9 | 0.9 | |
| 34.0 | 0.9 | 0.9 | 0.9 | 0.9 | 0.9 | 0.9 | |
| 36.0 | 0.8 | 0.8 | 0.9 | 0.9 | 0.9 | 0.9 | |
| 38.0 | 0.7 | 0.7 | 0.8 | 0.8 | 0.8 | 0.8 | |
| 40.0 | - | 0.6 | 0.7 | 0.7 | 0.7 | 0.8 | |
| 42.0 | - | - | 0.6 | 0.6 | - | - | |
| No. of Hoist Lines | | | | | | | 2 |
| Dialling code for telescopic control | | | | | | | 9 |
| Operating mode switch on PAT-console | | | | | | | 1041 |